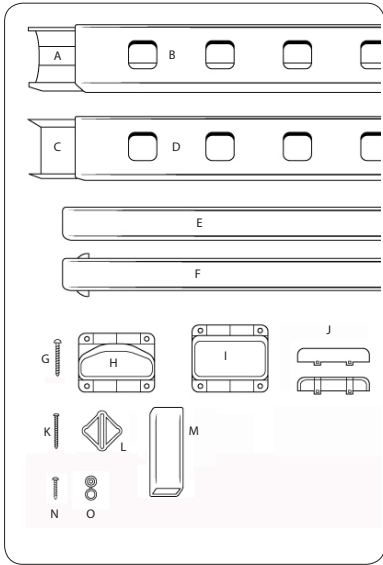


36" and 42" Heights

Instructions for Porch & Deck Series | Straight Rail



www.colorguardrailing.com



Component List:

- A) Aluminum Top Insert - 1
- B) Vinyl Top Rail - 1
- C) Aluminum Bottom Insert - 1
- D) Vinyl Bottom Rail - 1
- E) Baluster - count varies
- F) Locking Baluster - count varies
- G) 1-1/2" x #8 Bracket Screw - 16
- H) Top Mounting Bracket - 2
- I) Bottom Mounting Bracket - 2
- J) Bracket Covers - 8
- K) 1-1/2" x #8 Brace Plug Screw - 2
- L) Bottom Support Block Plug - 1
- M) Bottom Support Block - 1
- N) 3/4" x #6 Self Drilling Rail Screw - 8
- O) Hinged Screw Cap - 8

(F, K, L, M are not included in 4' sections)

Installer is responsible for quality workmanship and meeting all building codes.

Tools required:

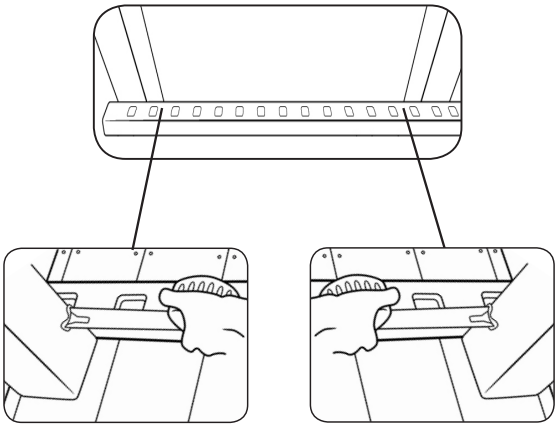
- Measuring tape
- Pencil
- Drill
- Phillips drive bit
- #2 Square Drive Bit
- Power miter saw
- 10" 80 tooth carbide blade

Always wear safety goggles



MADE IN THE USA

1 Measure Bottom Rail

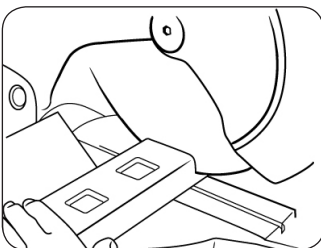


Lay bottom rail in front of post and mark rail for proper cutting on both ends.

Measure from post to edge of first routed hole, the spacing should be no less than 1-3/4". This should be done on both ends.

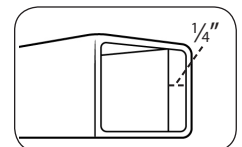
To provide adequate space for bracket. If less than 1-3/4" slide rail to left or right to remove a hole. This will allow for balusters to be centered and provide enough space for brackets

2 Cut Bottom Rail

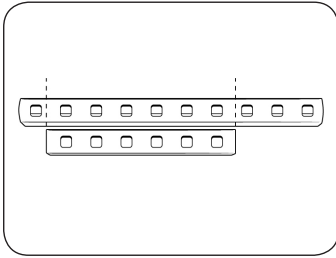


Leave aluminum in while cutting. Make first cut, then slide aluminum 1/4" in from first cut before making second cut.

ezTIP: Shortened aluminum prevents aluminum from scratching posts when installing.



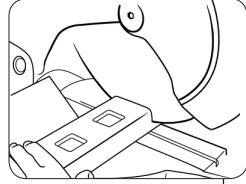
3 Cut Top Rail



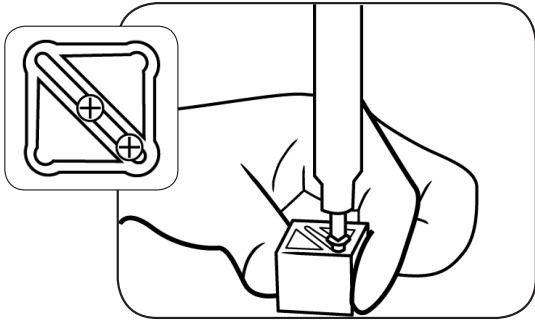
Using the bottom rail as your guide, mark the cuts of the top rail with pencil **exactly** the same as the bottom rail. This will ensure proper alignment after assembly.

Leave aluminum in while cutting. Make first cut, then slide aluminum $\frac{1}{4}$ " in from first cut before making second cut.

ezTIP: Shortened aluminum prevents aluminum from scratching posts when installing.



4 Attach Bottom Brace Plug

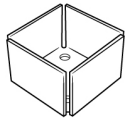


(Skip this step on 4' sections)

Align plug in center of bottom of the bottom rail. Be sure aluminum is centered in rail prior to securing plug to rail.

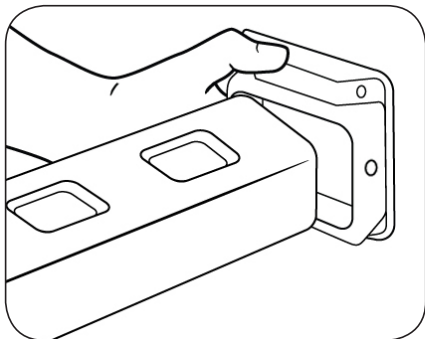
Attach plug using screws provided. The head of the screw should not be driven below slotted surface of plug.

Slide the brace onto the plug prior to installation of bottom rail.



The bottom support plug for Madison is slightly different from the those provided for Classic and Architectural

5 Attach Bottom Rail to Post

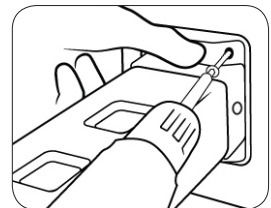
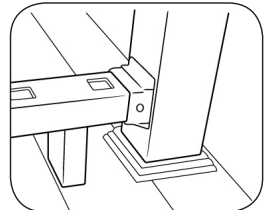


Place rail brackets on ends of bottom rail

ezTIP: Cut 2 blocks (not included) the same size as the support block. This will support the bottom rail while securing to post.

Attach bracket and rail to post. Apply 4 screws per bracket

ezTIP: Slightly offset bottom rail ($\frac{1}{16}$ ") to start securing brackets. Screws will angle into bracket and then will center as tightened.





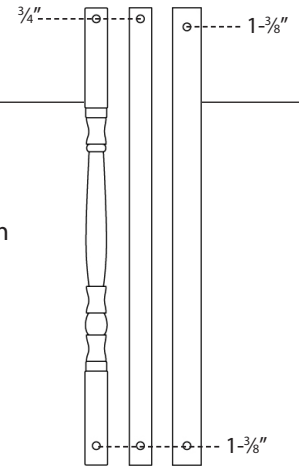
Insert Balusters

Prior to inserting locking balusters, check orientation with diagram on right.

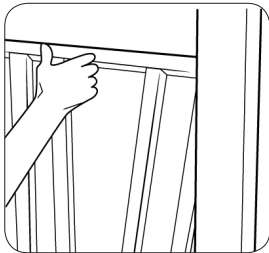
For Architectural sections, be sure balusters are properly oriented. Top locking mechanism is $\frac{3}{4}$ " from top. For Madison sections top locking mechanism is $1-\frac{3}{8}$ " from top.

Locking balusters are to be spaced equally along the bottom rail.

Place remaining balusters in bottom rail

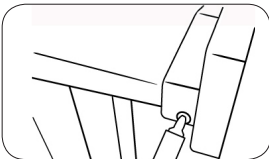


Attach Top Rail to Post



Angle balusters away from you. Starting on one end, insert balusters into top rail

Note: When installing top rail, do not lock the locking balusters until remaining balusters are all in place, then go back and lock balusters into place.



Place brackets on ends of top rail

Slide rail into position. Be sure aluminum is centered to avoid scratching posts.



Screw brackets to post (See #5)

Place self-drilling screw through hinge cap. Insert cap and screw into side hole of bracket and secure. Make sure self-drilling screw penetrates both vinyl rail and aluminum insert.

Snap button cap until secure . Repeat on all top and bottom rail brackets.

Install bracket covers onto brackets . The same cover fits both top and bottom rail brackets.

