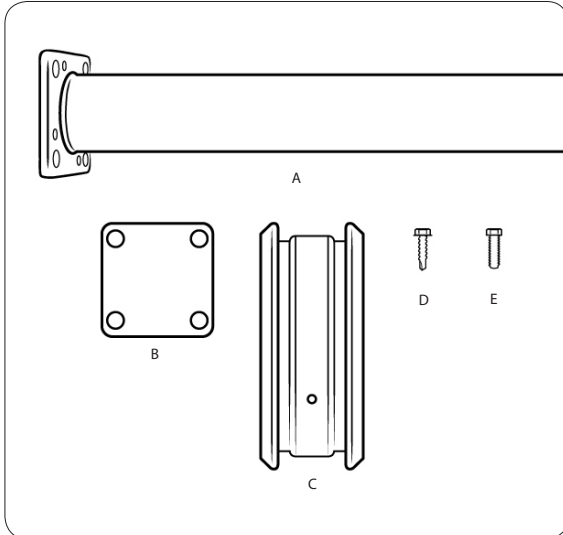


Instructions for Leveling Post Bracket



www.colorguardrailing.com



Component List:

- A) Steel Leveling Post - 1
- B) Push Plate - 1
- C) Filler - 4
- D) 1/4" self tapping screw - 4
- E) 5/16" x 3/4" hex bolt - 4

Tools required:

- Level
- 1/2" wrench
- Drill
- 3/8" hex drive

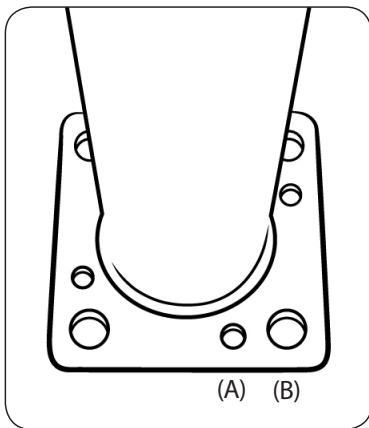
Always wear safety goggles

Fasteners Installer provided

Note: Installer must provide appropriate fasteners to attach the plate. This will differ depending on the type of surface.

*Installer is responsible for quality workmanship and meeting all building codes.
MADE IN THE USA*

1 Attach Leveling Post



Note: Surfaces that the post is mounted on may vary, such as concrete, wood, composite decks or other surfaces. Always use appropriate installer provided hardware for your application

Locate where post bracket will be installed and mark four base corner mounting holes (B)

Drill hole to accommodate the appropriate installer provided fastener for your application

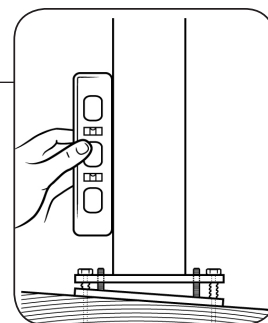
Thread 4 Hex head leveling bolts (included) into bottom of the post bracket hole (A)

Place 4 fasteners (not included) through holes (B) on post bracket, push plate and substructure and loosely secure with the appropriate fasteners for your application (not included)

2 Level Post

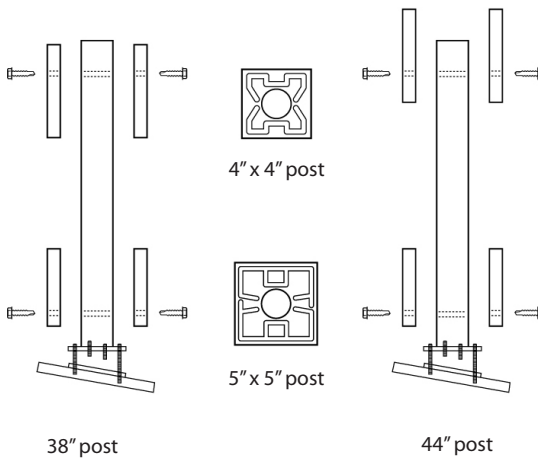
Check post level front to back and side to side

Adjust Hex head leveling bolts accordingly to attain post level in all directions. After attaining level tighten your appropriate fastener hardware.





Assemble Bracket Fillers



Installation When Using a Standard Post:

Attach one filler on bottom of each side of tube. Use 1/4" self-tapping screws (included)

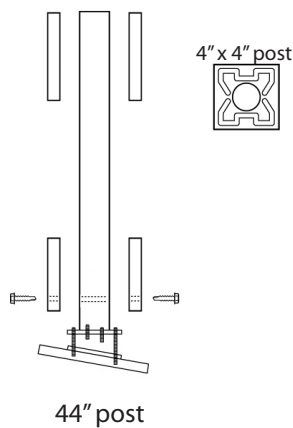
Mount fillers to top of post using 1/4" self tapping screws

If using 38" post, mount filler with longest side down.

If using 44" post, mount filler with longest side up.

Slide post sleeve over post bracket. Rail sections may now be mounted to post. Refer to instructions that come in your Color Guard rail kit for further assembly.

Note: This post mounting bracket kit does not come with the 4 X 4 vinyl post.



Installation When Using A Turned Newel Post:

Mount fillers with holes to bottom of post using 1/4 self tapping screws.

Slide molded post over post bracket. Slide remaining fillers (no holes) inside the turned Newel post on top. These will be secured when rail brackets are installed. Rail sections may now be mounted to turned Newel post.

Note: This kit includes both the vinyl turned post and the post mounting bracket in the box.

Refer to instructions that come with your Color Guard rail kit for further assembly

Note to installer: Due to the unlimited number of field installation applications, it is your responsibility as a quality installer to insure the bracket is mounted securely.